

# EvoRail™ 4PzV220



*VRLA GEL Battery Technology  
for Rolling Stock Applications*



*High cycle performance*

*Very good deep discharge recovery*

*Maintenance free*

*V-0 flame retardant*



*Keeping you on track*

# Hawker® EvoRail™ 4PzV220

## Technical specifications

Part number: 1881504V0CP

### Electrical Data

Nominal voltage	2 V
Number of cells	1 (VRLA, tubular GEL Technology)
Rated capacity C <sub>10</sub> to 1.80 Vpc at 20 °C	216 Ah
Rated capacity C <sub>5</sub> to 1.70 Vpc at 30 °C	220 Ah
Current/Power for 0.25 h back-up time 1.60 Vpc 20 °C	311.4 A / 511 W
Current/Power for 0.5 h back-up time 1.60 Vpc 20 °C	221.6 A / 376 W
Current/Power for 1.0 h back-up time 1.60 Vpc 20 °C	141.5 A / 249 W
Current/Power for 3.0 h back-up time 1.70 Vpc 20 °C	60.3 A / 112 W
Current/Power for 5.0 h back-up time 1.75 Vpc 20 °C	39.3 A / 74 W
Current/Power for 8.0 h back-up time 1.75 Vpc 20 °C	27.1 A / 52 W
Current/Power for 10.0 h back-up time 1.80 Vpc 20 °C	21.6 A / 41 W
Current/Power for 24.0 h back-up time 1.80 Vpc 20 °C	10.5 A / 20 W
Conversion to capacity at 25 °C	102% of Current/Power at 20°C
Internal resistance to IEC/EN 60896-21	0.92 mΩ
Short circuit current to IEC/EN 60896-21	2.20 kA
Self discharge at 20 °C to IEC/EN 60896-21	max. 3% / Month
Heat loss during float service at 20°C	≈ 0.30 W

### Mechanical Data

Weight	16.3 kg ±2%
Height of cell / over terminal cover	340 mm / 370 mm
Width	198 mm
Depth	83 mm
Number of terminals	1 + / 1 -
Dimension of terminal screw hole	M10 x 22 deep, female thread
Torque terminal screw	25 Nm ±2
Terminal insulation class according to IEC/EN 60529	IP 20
Diameter of diagnostic hole for voltage probe	2 mm
Maximum cable cross-section	95 mm <sup>2</sup>
Connector and terminal connection	use flexible EVO or PerfectPlus - connectors
Connector (copper, tin-coated and insulated)	For Rolling Stock flexible connectors are recommended
Shock + Vibration rating (according)	Category 1, Class B (IEC 61373:2011)

### Environmental Data

Installation	vertically
Cell assembly distance	not required; for higher loads 5-10 mm recommended for cooling
Material of case/cover; Flame retardancy rating (according to)	PP - FR or PP (on request) V-0 (UL94); I2 / F1 (NF F 16-101) or HB (UL94)
Flame barriers at vents	Yes
Rail service life expected at 15 °C	6 years (max. 30% DOD / day)
Cycle Endurance (DB Test : 30% DOD/8h)	> 80% C <sub>nom</sub> after 1'300 cycles
Design life (Eurobat classification)	12+ Long Life
Shipping name	Batteries, wet, non spillable

# Hawker® EvoRail™ 4PzV220

## Operating specifications

Figure 1



Figure 2

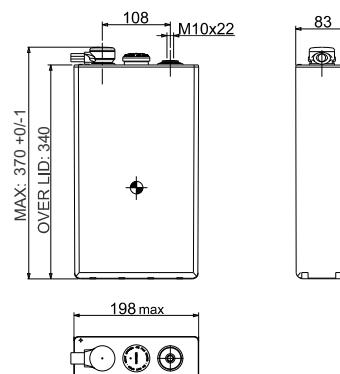
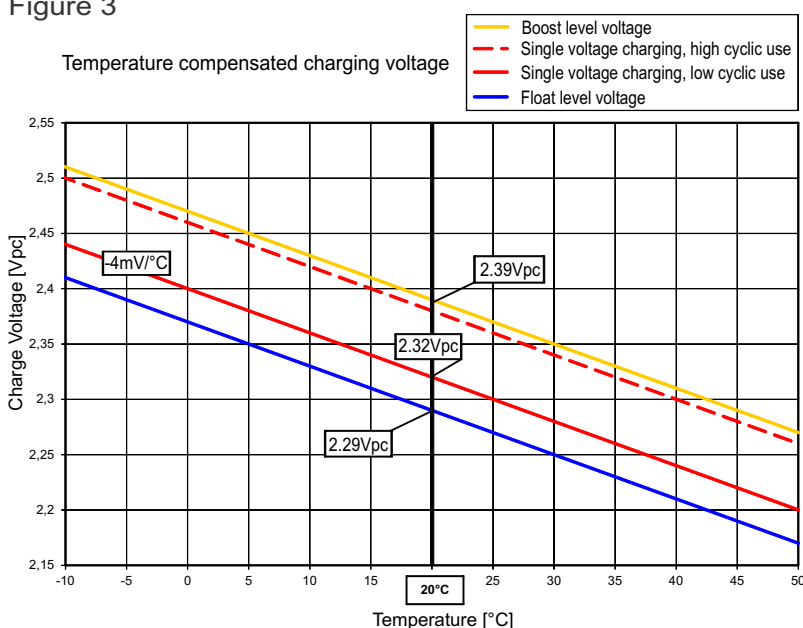


Figure 3



Temperature in °C	Percent of the rated capacity (C <sub>5</sub> )
40	107.0
35	105.8
30	104.0
25	102.0
20	100.0
15	97.8
10	94.5
5	91.0
0	86.0
-5	80.0
-10	72.5
-15	64.0
-20	47.0
-25	31.0
-30	14.0

*Estimated Values  
Should be verified with actual load profile*

## Battery installation and operation

Recommended charging for rolling stock applications (standby parallel operation)	IU0U - charging : 2 level charging (acc. DIN 41773) with current limitation and temperature compensation
Boost level voltage setting at 20°C	2.39 Vpc (Volt per cell)
Lower level or constant voltage setting at 20°C	2.32 ... 2.38 Vpc (low ... high cyclic use)
Charge current for IU or IU0U-charging (DIN 41773)	40 ... 60 A (minimum for cyclic use: 50 A)
Voltage compensation in function of temperature	- 4 mV/K per cell
Float level voltage setting at 20°C (± 1%)	2.29 Vpc (valid for long term trickle charging at workshop and storage)
Air exchange	As a VRLA battery according to EN 50272-2 : 2001 $Q = 0.05 * N_{cells} * I_{gas} * C_{AhC10} * 10^{-3} [m^3/h]$ $I_{gas} = 1$ (at 2.29 Vpc) ; $I_{gas} = 8$ (at 2.39 Vpc)
Preferred operating temperature range	Between 15°C - 25°C
Maximum long term operating temperature	+40°C with ventilation assured (reduced service life)
Maximum short term operating temperature (< 3h)	+50°C with ventilation assured (reduced service life)
Minimum operating and storage temperature	- 40°C (in charged condition)

# Hawker® EvoRail™ 4PzV220

## Discharge data per cell

### Constant current performance [Ampere] to the defined end of discharge voltage

Voltage [Vpc]	Temp	Discharge time [h:min]																		
		0:01	0:05	0:10	0:15	0:20	0:25	0:30	0:40	0:50	1:00	1:30	2:00	3:00	4:00	5:00	8:00	10:00	12:00	24:00
1.90	20°C	158.1	148.8	137.4	126.6	117.8	110.5	103.5	93.0	84.3	77.4	62.4	52.6	40.6	33.3	28.4	20.0	16.8	14.5	8.8
	25°C	158.6	149.4	139.0	128.8	120.1	112.8	106.2	95.5	86.9	79.9	64.5	54.5	42.1	34.5	29.4	20.7	17.4	15.0	9.0
1.85	20°C	210.2	200.0	181.5	166.6	154.2	143.1	133.8	118.7	106.7	97.3	77.1	64.4	49.0	39.9	33.8	23.6	19.8	17.1	9.9
	25°C	210.7	201.4	184.2	169.7	157.6	146.9	137.7	122.6	110.5	100.9	80.1	66.9	50.9	41.5	35.1	24.4	20.5	17.7	10.2
1.80	20°C	264.4	248.0	222.6	202.7	185.9	171.9	160.1	140.2	124.9	113.0	88.3	73.0	54.7	44.3	37.3	25.8	21.6	18.7	10.5
	25°C	264.4	250.4	226.2	207.2	190.9	177.1	165.1	145.5	129.9	117.7	92.2	76.2	57.1	46.1	38.8	26.8	22.4	19.3	10.9
1.75	20°C	320.4	294.1	260.7	234.9	214.0	196.5	181.3	157.3	138.9	124.5	95.7	78.4	58.3	46.8	39.3	27.1	22.6	19.5	10.8
	25°C	320.4	297.6	265.8	240.8	220.4	203.0	188.1	163.9	145.1	130.3	100.3	82.1	60.9	48.8	41.0	28.1	23.4	20.2	11.2
1.70	20°C	376.3	337.7	295.9	264.1	238.0	216.4	198.3	170.0	148.8	132.4	100.5	81.7	60.3	48.3	40.4	27.5	22.9	19.6	10.8
	25°C	376.3	342.3	302.6	271.7	246.3	224.7	206.6	177.7	156.0	139.0	105.6	85.7	63.1	50.4	42.2	28.6	23.7	20.4	11.2
1.65	20°C	432.2	379.8	328.7	289.6	258.1	232.6	211.6	179.2	155.6	137.8	103.6	83.7	60.9	48.4	40.4	27.5	22.9	19.6	10.8
	25°C	432.2	385.7	336.9	299.1	268.2	242.6	221.4	188.2	163.7	145.0	109.0	88.0	63.8	50.6	42.2	28.6	23.7	20.4	11.2
1.60	20°C	488.1	420.1	358.3	311.4	274.8	245.3	221.6	185.9	160.5	141.5	104.4	83.7	60.9	48.4	40.4	27.5	22.9	19.6	10.8
	25°C	488.1	427.5	368.5	322.9	286.6	257.1	232.8	195.8	169.3	149.3	110.1	88.0	63.8	50.6	42.2	28.6	23.7	20.4	11.2

### Constant power performance [Watt per cell] to the defined end of discharge voltage

Voltage [Vpc]	Temp	Discharge time [h:min]																		
		0:01	0:05	0:10	0:15	0:20	0:25	0:30	0:40	0:50	1:00	1:30	2:00	3:00	4:00	5:00	8:00	10:00	12:00	24:00
1.90	20°C	300.5	283.2	261.1	241.3	224.5	210.4	197.8	177.8	161.9	148.9	120.4	102.2	79.0	65.3	55.6	39.3	33.1	28.6	17.3
	25°C	301.0	283.6	264.3	245.3	228.7	215.1	202.7	182.4	166.7	153.6	124.3	105.7	81.8	67.6	57.6	40.5	34.1	29.5	17.7
1.85	20°C	388.3	369.9	336.0	309.1	286.9	266.8	249.9	222.3	200.6	182.9	146.3	122.4	93.9	76.7	65.4	45.5	38.4	33.3	19.2
	25°C	389.3	372.8	340.8	315.2	293.4	273.7	256.9	229.6	207.5	189.6	152.0	127.2	97.6	79.6	67.9	47.2	39.7	34.4	19.7
1.80	20°C	475.9	446.5	401.5	366.7	337.6	312.9	292.0	257.5	230.4	208.7	164.4	136.9	103.6	84.0	71.3	49.5	41.5	35.9	20.3
	25°C	475.9	450.9	408.2	374.5	346.2	321.8	300.9	266.7	239.3	217.4	171.4	142.8	108.0	87.5	74.0	51.4	42.9	37.2	20.9
1.75	20°C	555.5	512.9	458.5	414.5	379.2	349.3	324.0	283.0	251.7	226.9	176.1	145.4	109.0	88.0	74.2	51.5	42.9	37.2	20.9
	25°C	555.6	518.4	467.2	424.5	389.9	360.9	335.5	294.3	262.4	236.9	184.2	152.0	113.7	91.9	77.2	53.6	44.5	38.5	21.5
1.70	20°C	634.7	571.6	505.1	454.4	412.4	377.1	347.6	300.9	265.4	238.1	182.8	149.9	111.7	90.1	75.6	52.2	43.3	37.4	20.9
	25°C	634.8	578.9	515.2	466.6	425.4	390.8	361.2	313.9	277.7	249.3	191.7	156.9	116.8	94.2	79.0	54.3	45.0	38.8	21.5
1.65	20°C	712.4	626.0	545.4	485.8	437.6	397.9	364.6	312.7	274.2	244.8	186.6	152.3	112.6	90.4	75.7	52.2	43.3	37.4	20.9
	25°C	712.4	635.5	558.0	500.5	453.0	413.7	380.3	327.2	287.7	256.9	196.1	160.0	118.0	94.5	79.1	54.3	45.0	38.8	21.5
1.60	20°C	777.2	675.5	580.2	510.6	456.6	412.4	376.3	320.1	279.7	248.8	187.9	152.4	112.6	90.4	75.7	52.2	43.3	37.4	20.9
	25°C	777.2	686.6	595.4	527.7	474.3	430.3	393.6	336.2	294.0	261.7	198.1	160.3	118.0	94.5	79.1	54.3	45.0	38.8	21.5

Constant discharge values without voltage loss in connectors and cables!  
Our technical support offers to calculate the discharge curve for a specific load profile.



Global & Americas  
Headquarters  
**EnerSys**  
2366 Bernville Road  
Reading,  
Pennsylvania 19605  
USA  
Tel. + 1-610-208-1991

EMEA  
Headquarters  
**EH Europe GmbH**  
Löwenstrasse 32  
8001 Zürich  
Switzerland  
Tel: +41 (0)44 215 74 10  
Fax: +41 (0)44 215 74 11

**EH Europe GmbH**  
**PDAC EMEA**  
Hagnastrasse 27  
4132 Muttenz  
Switzerland  
Tel: +41 61 706 36 36  
Fax: +41 61 706 36 37