

PerfectRail™ DS12V - 115



*Rechargeable lead acid batteries
for Rail Applications
Engine Starting*



100% Recyclability

Flame retardant

Shock resistant

Low maintenance



Keeping you on track

Hawker® PerfectRail™ DS12V - 115

Part number: 3494546

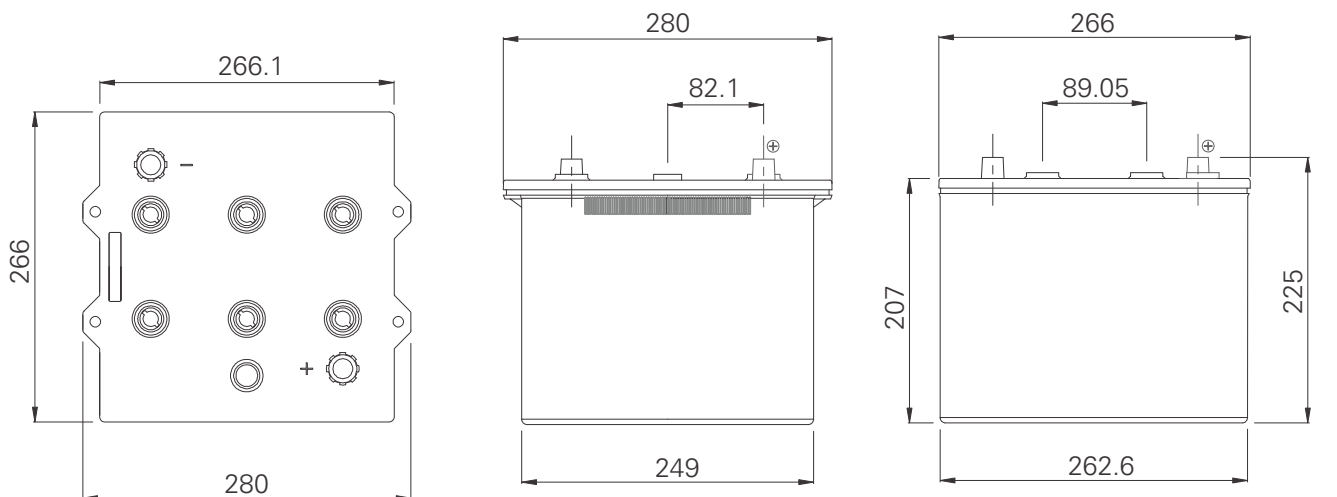
Technical Data	
Technology	Pb-Sb Technology
Grid Alloy	Pb-1.7%Sb/Pb-1.7%Sb
Nominal Voltage	12 V
Charging Voltage	14.25 +/- 0.25 V
Nominal Capacity C ₂₀	114 Ah
Nominal Capacity C ₁₀	95 Ah
Nominal Capacity C ₅	90 Ah
Nominal Capacity C ₁	72 Ah
CCA (S.A.E.)	800 A
CCA (EN)	850 A
Operating Temperature	-15°C to +40°C
Internal Resistance	0.0099 Ω
Weight filled & charged	31.2 kg
Weight dry charged	22.0 kg
Electrolyte weight	9.3 kg
Electrolyte density	1.29 g/cm ³ at 25°C
Electrolyte volume	7.2 l
Test Standard	EN 50342 (2002)

Hawker® PerfectRail™ proven Pb-sb and hybrid Pb-Ca grid technology offers a cost effective and reliable battery, which you can depend on for consistent performance, irrespective on the application and environment.

The Hawker PerfectRail Diesel Starter range of 12-Volt flooded/wet batteries is suitable for engine starts and a source of on-board power for a wide range of rail vehicles.

The Hawker PerfectRail Diesel Starter battery is manufactured using the very highest quality raw materials, using state-of-the-art manufacturing equipment and process from plate casting through to assembly and formation. Quality control is ensured through automated self-checking operations and operator checks/tests performed by skilled technicians ensure the control and the continuous improvement of our processes and products.

The Hawker PerfectRail Diesel Starter battery is designed with quality in mind to boost your energy, when you need it the most.



Global & Americas
Headquarters
EnerSys
2366 Bernville Road
Reading,
Pennsylvania 19605
USA
Tel. + 1-610-208-1991

EMEA
Headquarters
EH Europe GmbH
Löwenstrasse 32
8001 Zürich
Switzerland
Tel: +41 (0)44 215 74 10
Fax: +41 (0)44 215 74 11

EH Europe GmbH
PDAC EMEA
Hagnastrasse 27
4132 Muttenz
Switzerland
Tel: +41 61 706 36 36
Fax: +41 61 706 36 37