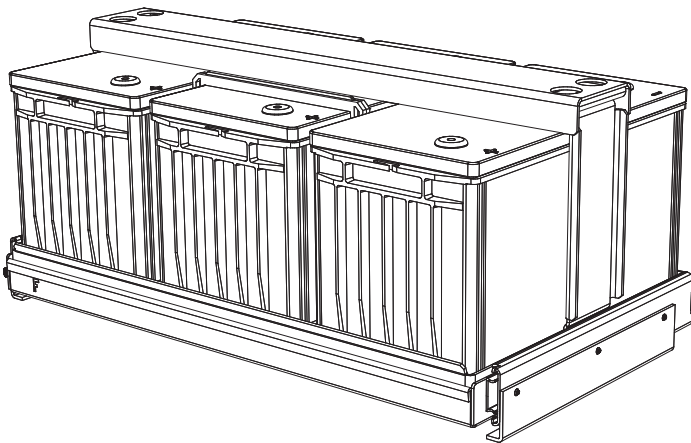


Bolted Battery Security Device Field Installation Instructions



Materials List - Bolted Battery Security Device 746-616-20		
Alpha P/N	Description	Qty
606-976-R4	Bolted Battery Security Device - Top	1
606-952-R4	Bolted Battery Security Device - Base	1
634-491-10	5/16"-18 Retainer Nut	6
636-008-12	Pop Rivets, .156" Stainless Steel	4
651-001-19	Cable Tie, 3 1/2"	1
189-084-19	Battery Spacer Clips	2

Tools Required:

- 3/8" drive hand drill and center punch
- .404" (Y) drill bit
- .161" (#20) drill bit
- Rivet puller/gun
- 3/8" socket and torque wrench
- 9/16" Wrench (only for use with the Breakaway Bolts Kit)
- Alpha -01 security key for 5/16" x 3/4" for Alpha -01 security screws or equivalent (only for use with the Security Screw Kit installation method)

There are two kit options for this installation:

- Breakaway Bolts Kit
- Security Screw Kit

Materials List - Breakaway Bolts Kit 746-624-20		
Alpha P/N	Description	Qty
606-978-G1	Backing Plate	1
606-979-G1	Backing Plate Cover	1
630-852-12	5/16"-18 X 1" Screw	2
630-853-12	5/16"-18 x 3/4" Screw	4
633-135-12	5/16" Flat Washer	4

Materials List - Security Screw Kit 746-624-21		
Alpha P/N	Description	Qty
606-980-G1	Backing Plate	1
633-135-12	5/16" Flat Washer	6
647-189-11	Alpha -01 Security Screw	6*
647-188-10	Alpha -01 Security Key	0**

* Optional: Customer may supply their own security screws.

**Note: Not included, but required for Alpha -01 security screws.

WARNING! GENERAL HAZARD

Use **EXTREME CAUTION** when drilling into the enclosure. Clear equipment, wiring and batteries from the area into which you are drilling.

WARNING! ELECTRICAL HAZARD

Lead-acid batteries contain dangerous voltages, currents and corrosive material. Battery installation, maintenance, service and replacement must be performed only by authorized personnel.

Installing the Bolted Battery Security Device

1. With batteries removed, insert the Bolted Battery Security Device (BBSD) into slide tray. Ensure the orientation of the BBSD is correct with the large flange to the rear of the tray.
2. (Optional - Only install the rivets if this is a permanent installation) Using the BBSD as a template, mark the locations of the 4 mounting rivets as shown in Fig. 1, then remove the BBSD. Center punch and drill the locations using the drill and the .161" (#20) drill bit.
3. (Optional) Reinstall the BBSD and insert the rivets.

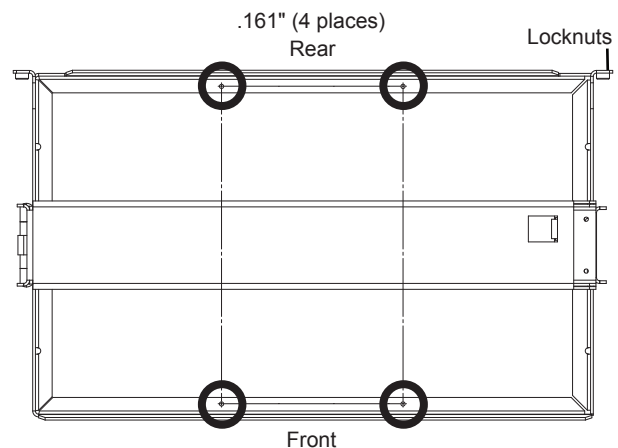


Fig. 1, Mounting Rivet Locations

4. Close the battery slide tray and mark the back wall of the enclosure at the centers of the two holes on the rear plate of the BBSD (see Fig. 2). Open the tray then center punch and drill the back of the enclosure at the marked locations using the drill and the .404 (Y) drill bit.
5. Install the left and right batteries, then install the two retainer nuts on the rear plate of the BBSD over the mounting holes (See Fig. 2). Then install the middle battery.
 - For the breakaway bolt installation, install the two phillips head (3/8-16 x 1") screws through the backing plate on the outside of the enclosure. Fix the backing plate cover over the backing plate and weld it to the rear of the enclosure (See Fig. 3). The weld must reach the tabs on the plate. Welding the center of the plate is optional.
 - For the security screw installation, install the two security screws through the backing plate on the outside of the enclosure (See Fig. 3).
6. Install the battery cable kit, as well as battery spacer clips, RTSs and any other battery accessories according to your product's manual. Route the cables between the batteries, allowing enough room for the top bar of the BBSD to be installed.
7. Install the top bar of the BBSD
 - For the breakaway bolt installation, install the four breakaway bolts and flat washers through the top of the bar. Tighten until the head of the bolt snaps off (See Fig. 4).
 - For the security screw installation, install the four security screws, torquing to the manufacturer's recommendation Torque Alpha security screws to 13ft-lbs (18.3Nm) (See Fig. 4).
8. Close the drawer and secure the door of the enclosure (See Fig. 5).

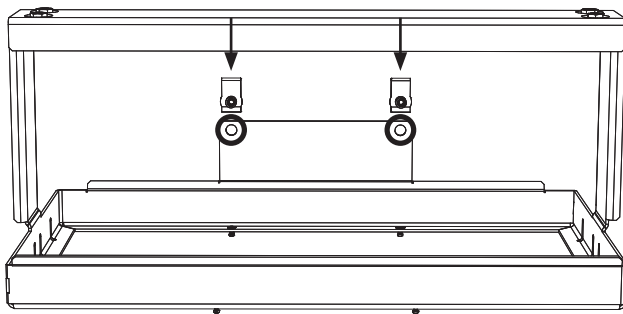


Fig. 2, Backing Plate Mounting Holes and Retainer Nuts

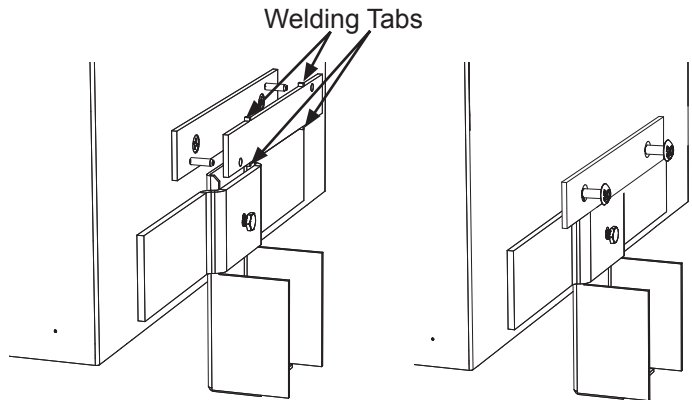


Fig. 3, Breakaway Bolt Installation (Left) Security Screw Installation (Right)

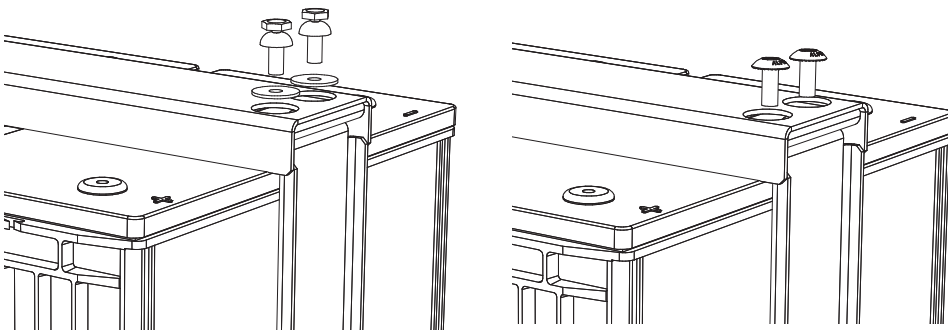


Fig. 4, Inserting Breakaway Bolts (Left) and Security Screws (Right)

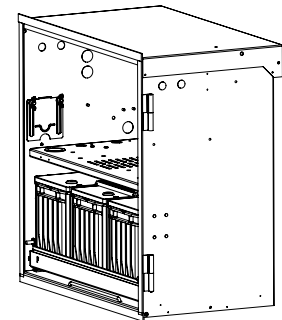


Fig. 5, Closed Drawer

Worldwide Corporate Offices

North America
Tel: +1 360 647 2360
Fax: +1 360 671 4936

Europe
Tel: +49 9122 79889 0
Fax: +49 9122 79889 21

Latin America
Tel: +561 792.9651
Fax: +561 792.7157

Asia Pacific
Tel: +852 2736.8663
Fax: +852 2199.7988