

1. Connect an energized Service Power Supply to the SPI's ALT connector, set the SPI switch to the ALT position.
2. Use a dry clean rag to cover the power supply, protecting it from metal shavings.
3. Turn off the XM power supply by setting the battery breaker to off, and unplug the AC Line cord.
4. Using a precision rule, mark the locations of the fan mounting holes with a center punch (punch marks may already be present). Using a #9 (3/16") drill bit, drill out the marked holes. Remove any burrs with a file or utility knife (See Fig. 1).
5. Install the fan using the #6 machine screws included with the kit (see Fig. 2).

Tools and Materials Required

- Fan Kit (Alpha P/N 745-101-22)
- #2 Phillips Screwdriver
- Precision Ruler
- Pencil or Marker
- Center Punch
- #9 (3/16") Drill and Drill Motor
- File or Utility Knife
- Clean Dry Rag to Cover Power Supply
- Service Power Supply (optional)



NOTE: The fan is thermostatically controlled, and may start at any time, keep fingers clear while power is applied.

6. Unplug the SPI from the OUTPUT jack on the power supply. Connect the plug from the fan kit labeled OUTPUT to the OUTPUT jack on the power supply (see Fig. 3)
7. Connect the plug from the SPI to the plug from the fan kit labeled SPI (see Fig. 3).
8. Remove the rag and inspect the XM2 for metal shavings. Remove all shavings before proceeding.
9. Plug in the XM2's AC Line cord, and set the battery breaker to on.
10. Set the ALT /ON switch on the SPI to the ON position. De-energize and remove the service power supply

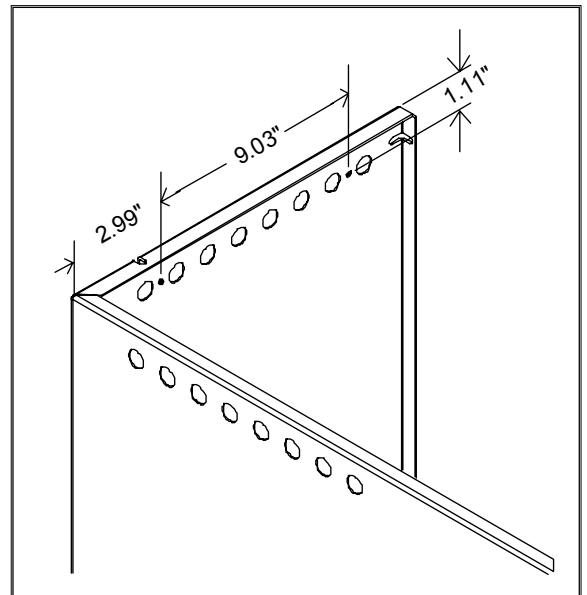


Fig. 1 Hole Locations

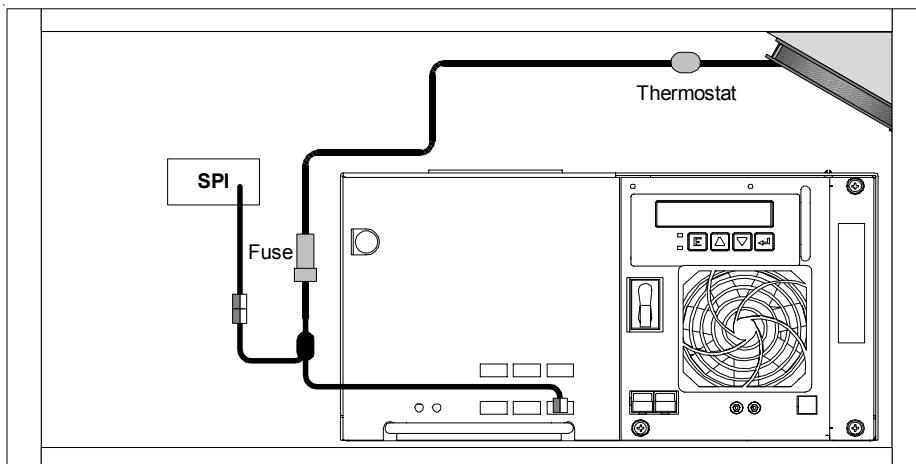


Fig. 3 Wiring Harness

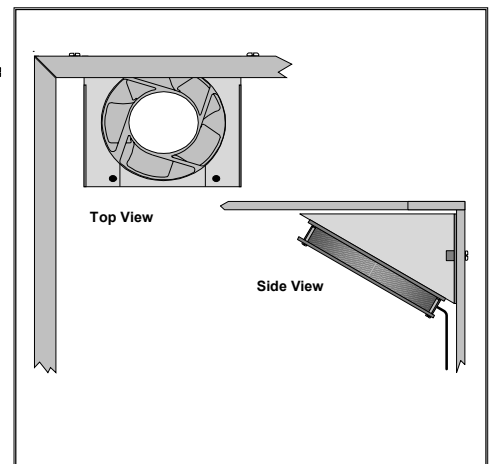


Fig. 2 Fan Mounting