

STORM HOOD INSTALLATION FOR BE-PWE

The following instructions are for mounting the storm hoods on the BE-PWE enclosure:

Required	1/2" drive hand drill	Rivet gun with 1/8" nose piece
Tools:	9/64" (#28) drill bit	Tape Measure
	Drill-Stop collar	Vacuum to remove metal shavings from cabinet interior



WARNING

Use **EXTREME CAUTION** when drilling into the enclosure. Verify what is behind the area you are drilling into. If required, follow manufacturer's instructions to power down the power supply and disconnect the battery pack.



NOTE

Pre-stamped dimples (half-shears) may mark the locations for drilling rivet holes. If you find these marks, skip steps 1 and 2 and begin with step 3.

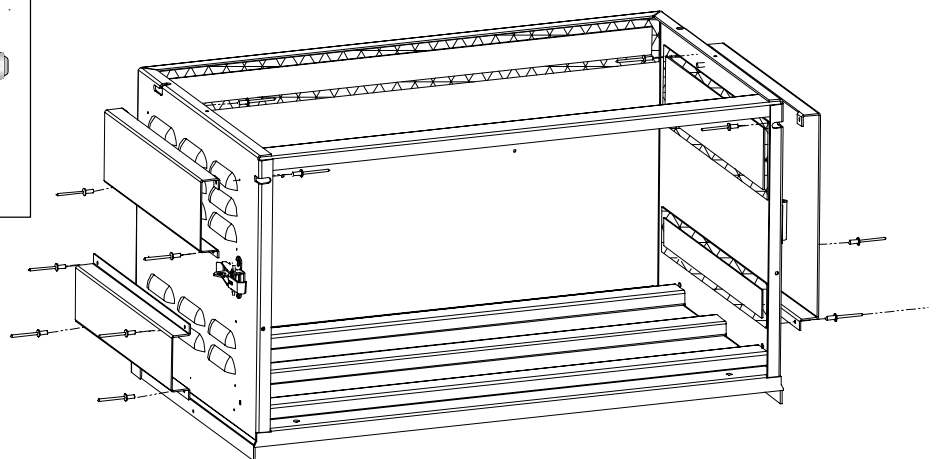
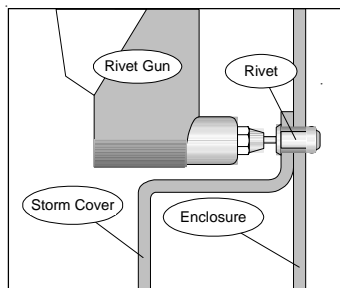
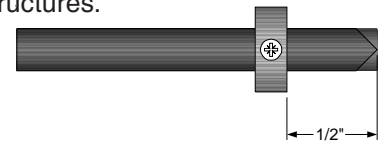
1. Center storm hood over the louvers and tape into place. Verify that covers do not interfere with locks, lids, doors or logos. **Verify that no structures, electrical boxes or wiring are behind the area to be drilled.** Reposition cover if needed.
2. Using a center punch, place a mark in the center of the rivet holes in the cover. Remove the cover.



CAUTION

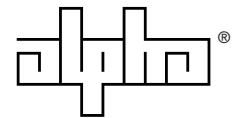
Set a drill stop collar 1/2" from end of drill bit to prevent damage to internal structures.

3. Use a #28 drill bit (9/64") to drill out the rivet holes.
4. Use the rivets provided with the kit to install the covers.



BE-PWE

P/N: 033-076-20 (with mounting brackets) Gray
 033-077-20 (w/o mounting brackets) Gray



Storm Hood Installation for BE-PWE

Field Installation Guide

745-323-C0-001, Rev A

Effective Date: November, 2003

© Alpha Technologies, Inc.

SAFETY INFORMATION

Attention

Alpha denies responsibility for any damage or injury involving its enclosures, power supplies, generators, batteries, or other hardware when used for an unintended purpose, installed or operated in an unapproved manner, or improperly maintained.

NOTE

Review the drawings and illustrations contained in this manual before proceeding. Drawings and photos contained in this manual are for illustrative purposes only. These illustrations may not exactly match your installation. If there are questions regarding the safe operation of this powering system, please contact Alpha Technologies or your nearest Alpha representative.

SAFETY SYMBOLS AND TEXT

Attention

The use of ATTENTION is for specific regulatory, code or legal requirements that may affect the placement of equipment and installation procedures.

NOTE

A NOTE gives readers additional information to help them complete and/or understand a specific procedure.

CAUTION

A CAUTION presents safety information to PREVENT DAMAGE TO THE EQUIPMENT as the technician/user works on it. A CAUTION tell how to correctly perform a procedure or action. It then describes what could happen if the technician does not closely follow the instructions.

WARNING

A WARNING presents safety information to PREVENT INJURY OR DEATH to the technician/user. A WARNING tells the technician/user the specific safety precautions they must exercise during a procedure. It then describes what may happen if they do not take those precautions.

ALPHA PRODUCT INFORMATION and CUSTOMER SERVICE:

1-800-863-3930 (7:00 AM to 5:00 PM Pacific Time)

ALPHA Technical Support:

1-800-863-3364 (7:00 AM to 5:00 PM Pacific Time, or 24/7 emergency support)